



# **BOSTONIAN RAINFALL NOZZLE SHOWER SYSTEM**

## **WITH HAND SHOWER & MIXING VALVE**

### **SPECIFICATIONS**

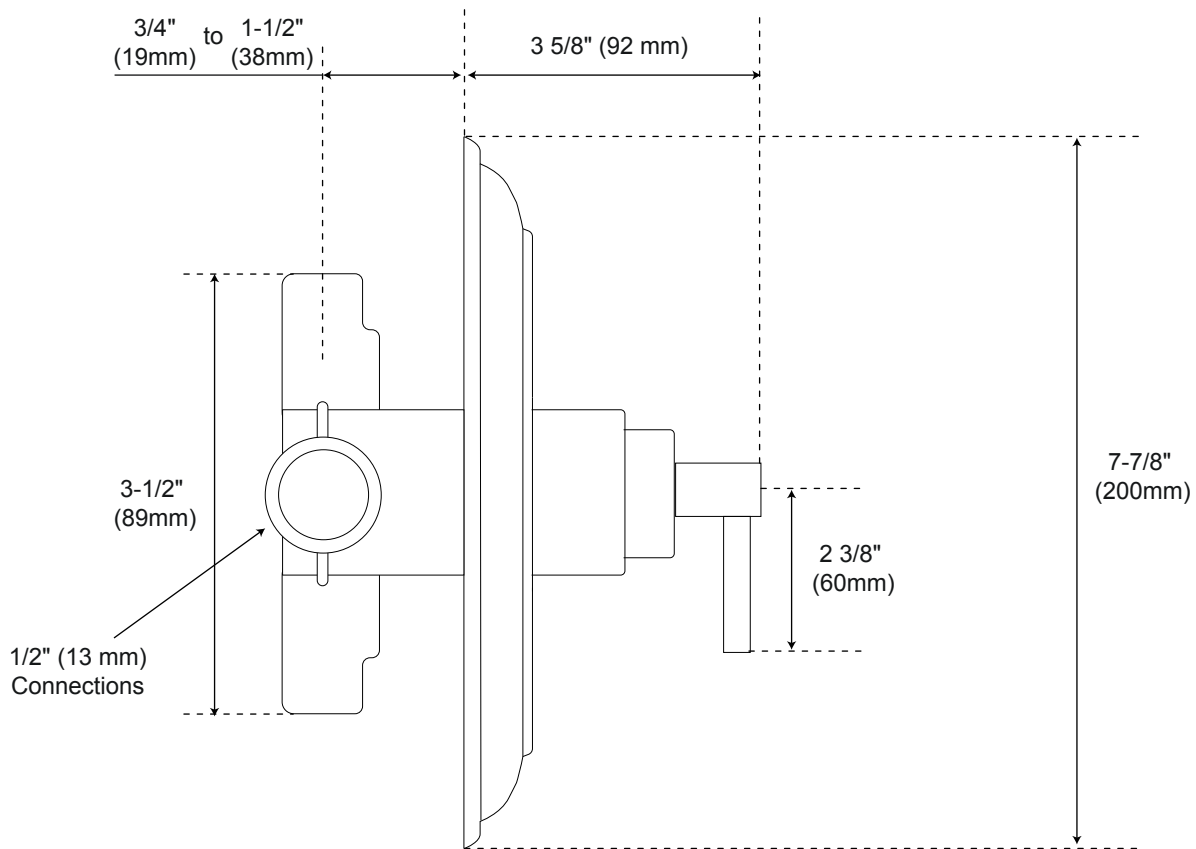
#### **CONTENTS**

<b>Shower Valve</b> .....	<b>2</b>
<b>Wall Shower Head</b> .....	<b>3</b>
<b>Handshower</b> .....	<b>4</b>



# Shower Valve

Side

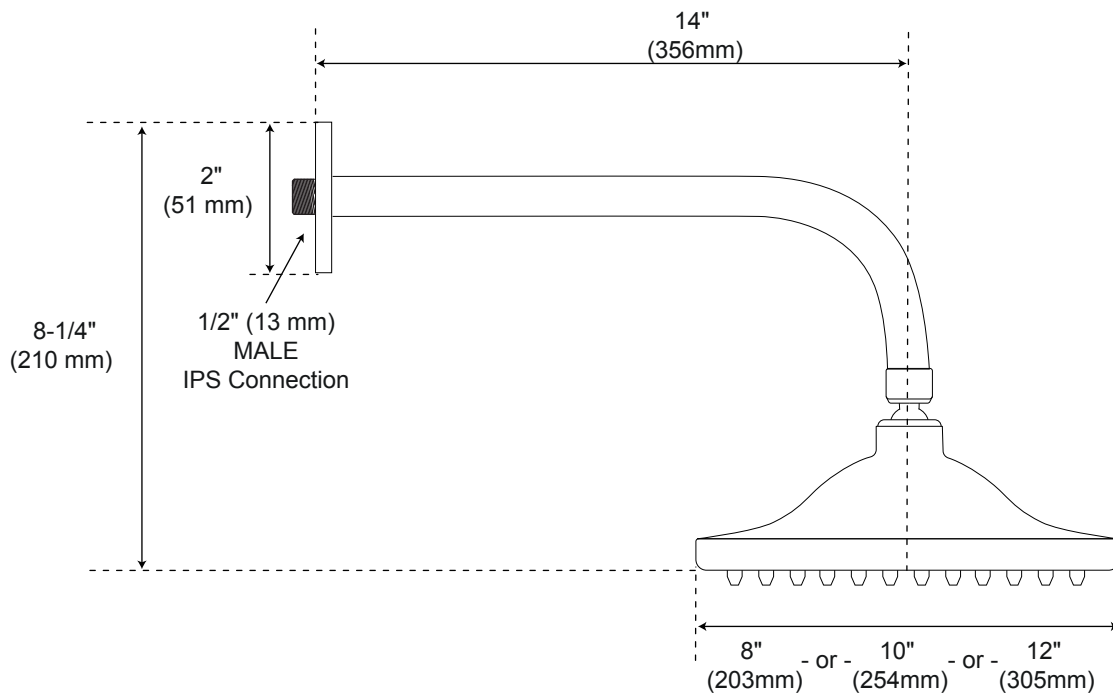


All product dimensions are nominal.



# Wall Shower Head

Side



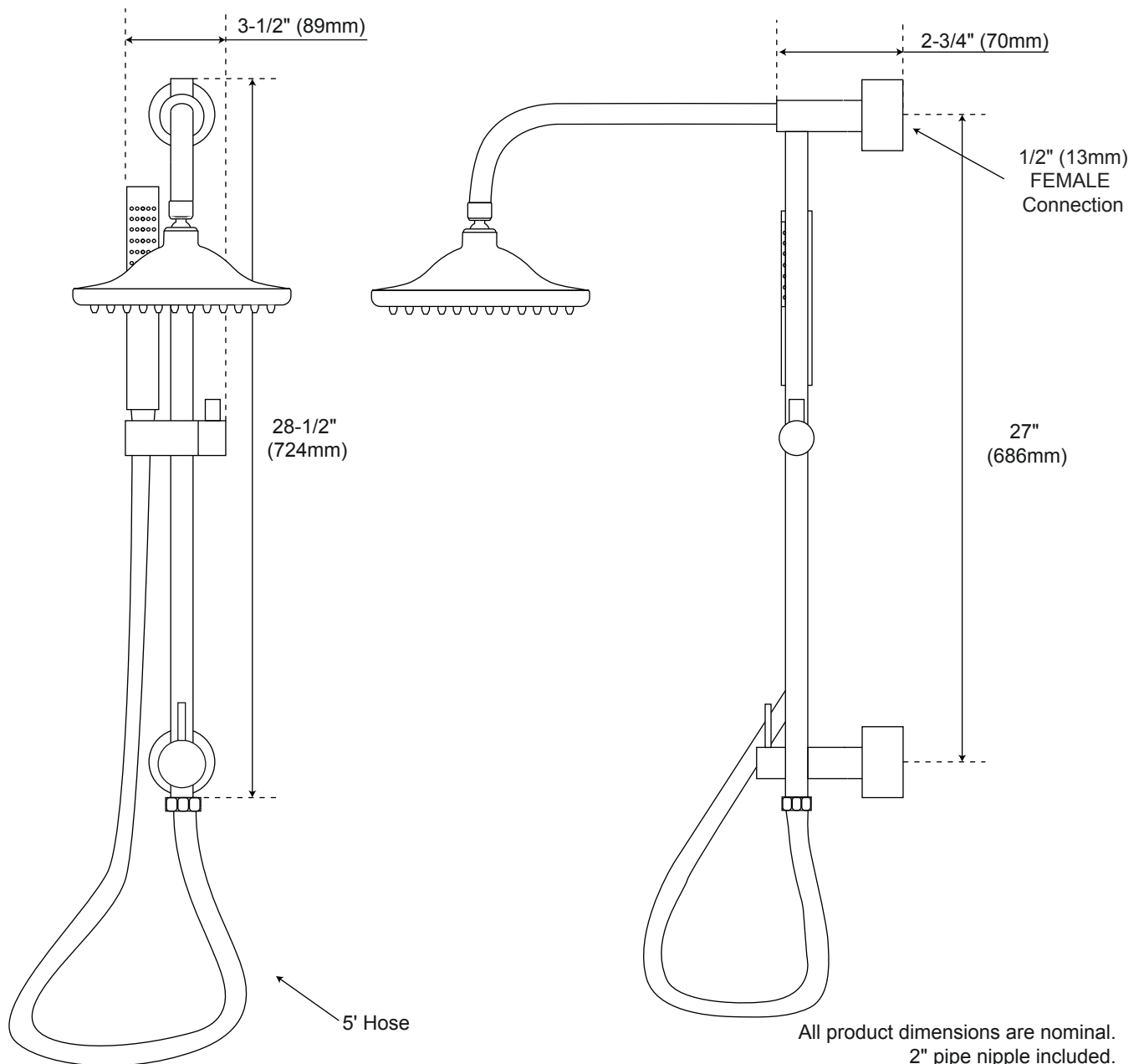
All product dimensions are nominal.



# Handshower

Front

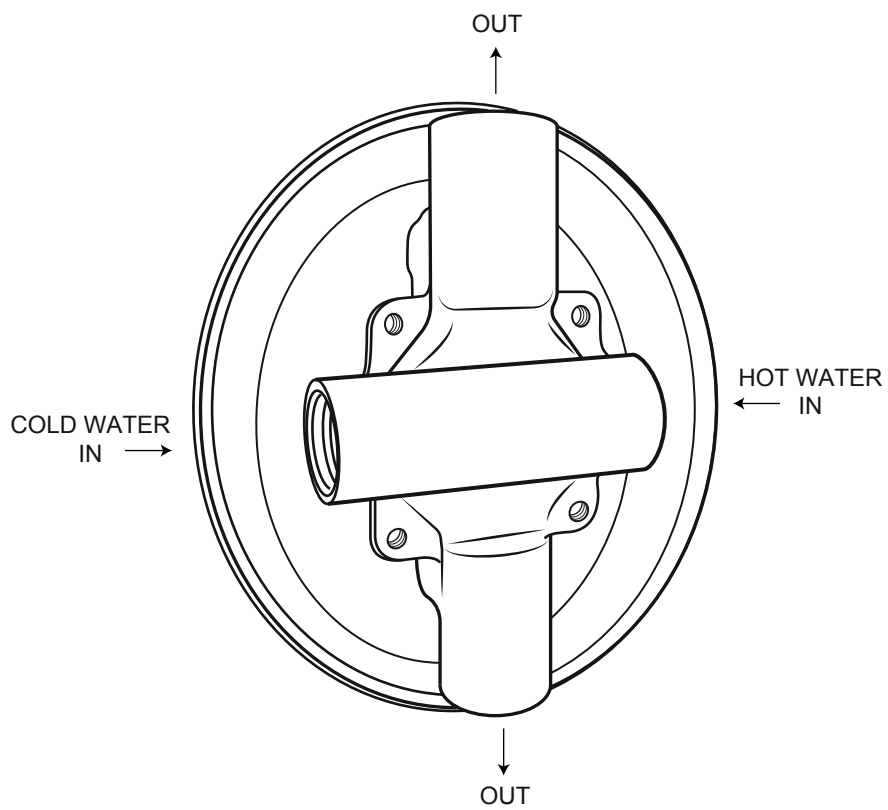
Side





# Diverter

(back)



All product dimensions are nominal.